



T-30 Style Upright and Cross Brace Assembly



Materials: For each upright there should be 1 cross support, 7 1/4-20 x 2 3/4 machine screws and (7) 1/4-20 nyloc bolts. You will need a phillips screwdriver and a crescent wrench to assemble.

Step 1: Using 2 bolts, assemble a cross support to one upright through the holes on the side of the upright near the top.



Step 2: Repeat using the set of holes at the bottom of the upright.



Step 3: Assemble the cross supports to the second upright to complete the section.





T-30 Style Upright and Cross Brace Assembly

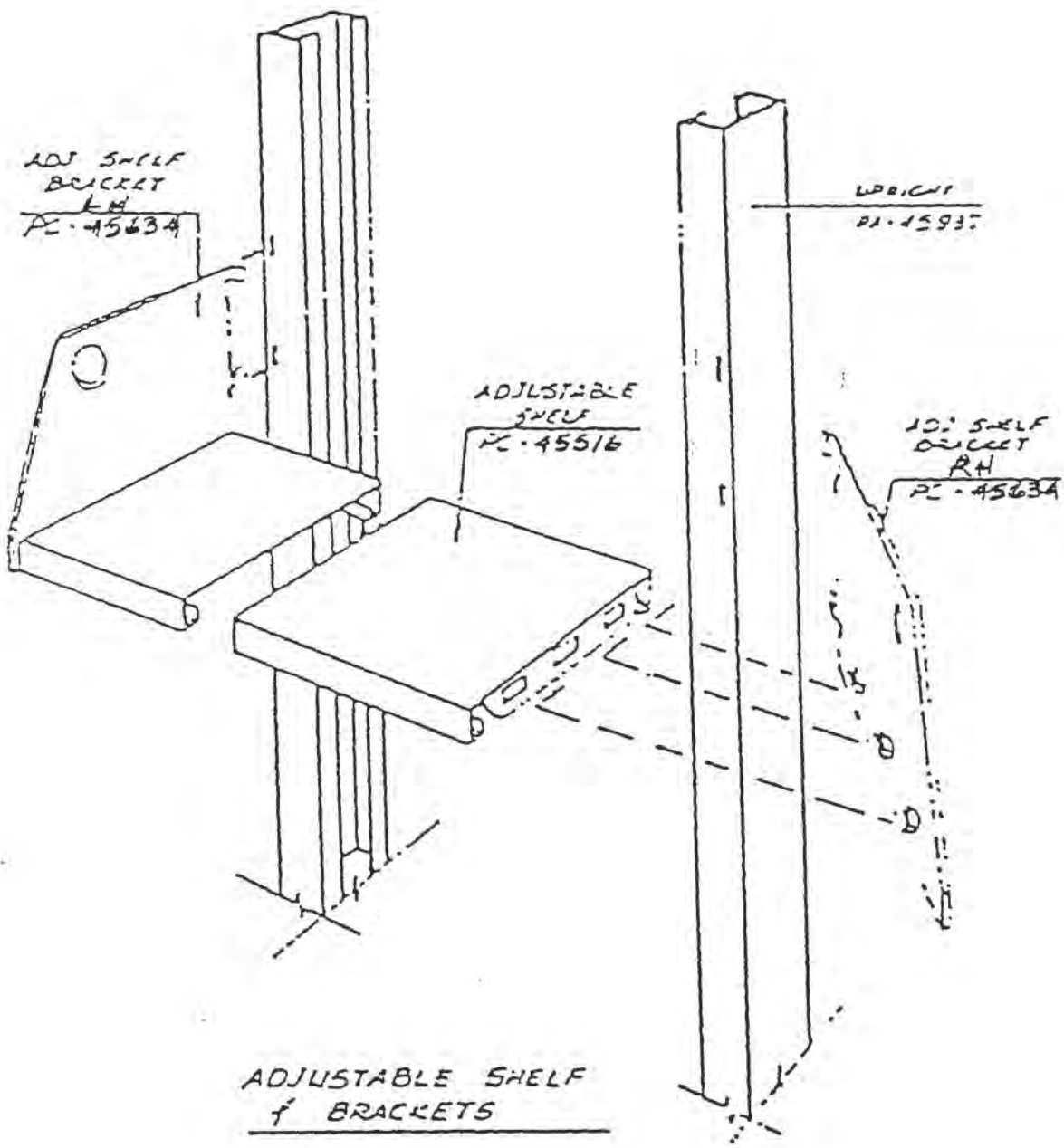


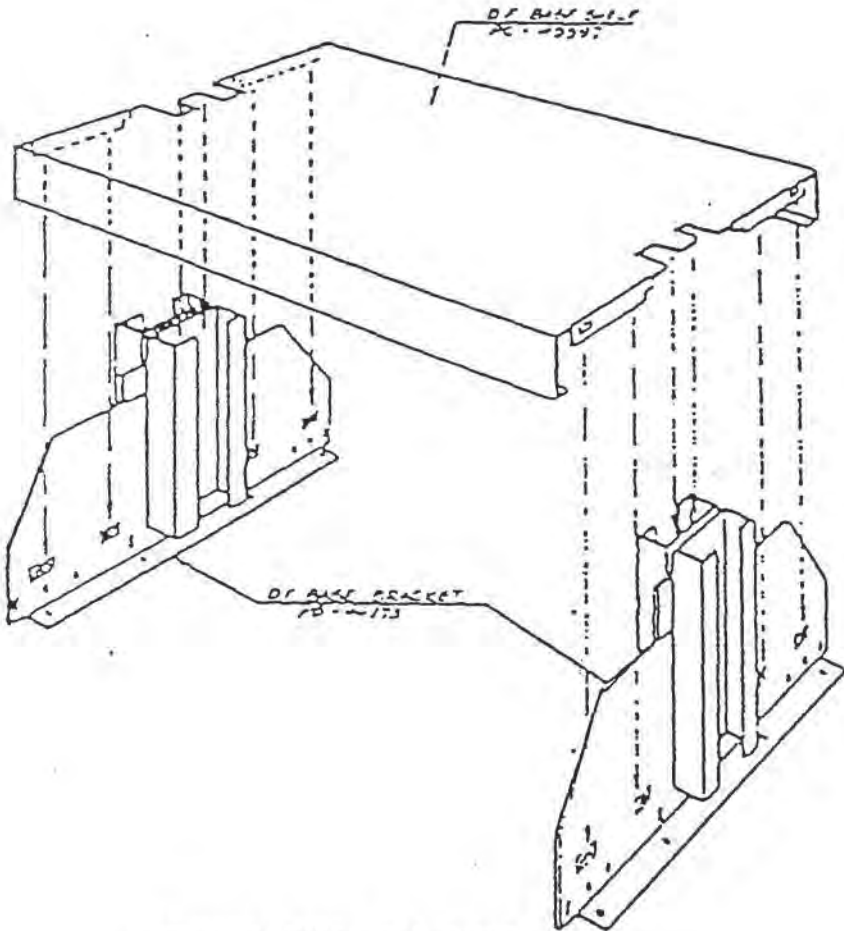
For multiple sections use the same nuts and bolts to add on more cross supports continuing the run.



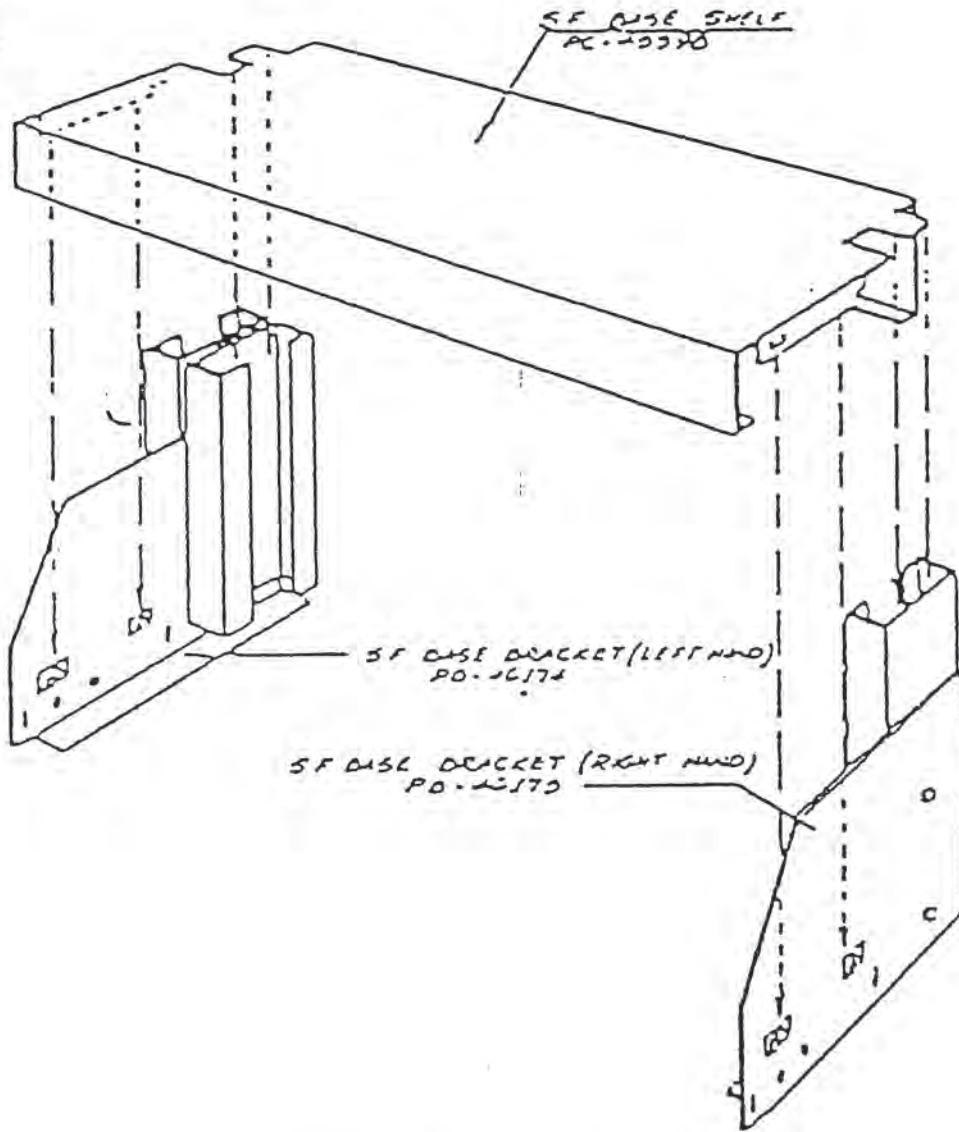
For double face assemblies, attach two single face assemblies back to back by putting 3 nuts and bolts through the holes at the top, middle, and bottom of the face of the upright. Make sure the two uprights are aligned one directly behind the other.



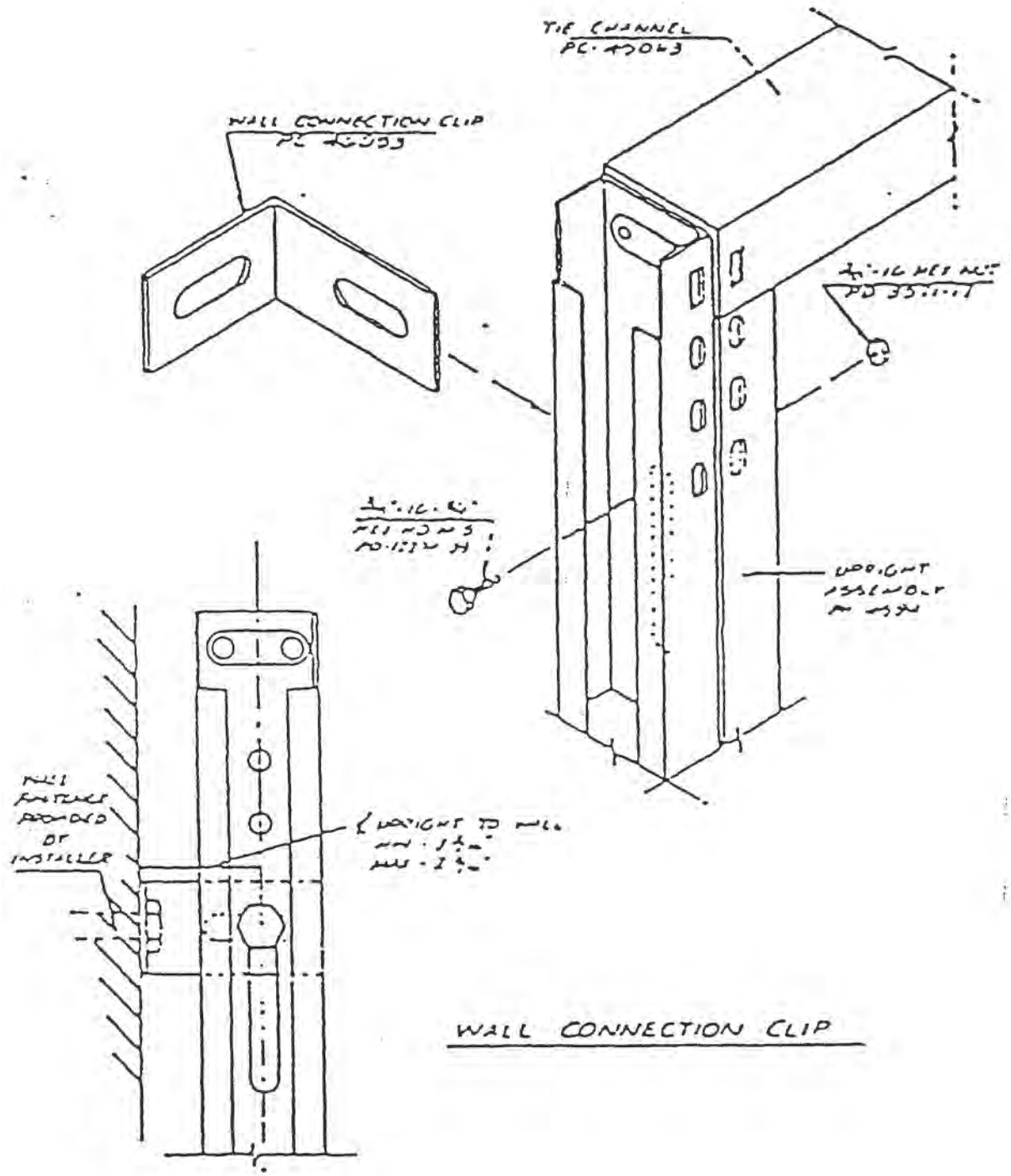




DOUBLE FACE BASE SHELF



SINGLE FACE BASE SHELF



TIE CHANNEL
PC-47043

WALL CONNECTION CLIP
PC-45003

1/2" - 16 UNF X 1/2"
PHENOLIC

1/2" - 16 UNF X 1/2"
PHENOLIC

WRIGHT
ASSEMBLY
M-4520

WALL ANCHOR
PROVIDED
BY
INSTALLER

WRIGHT TO WALL
MIN - 1 1/2"
MAX - 2 1/2"

WALL CONNECTION CLIP