
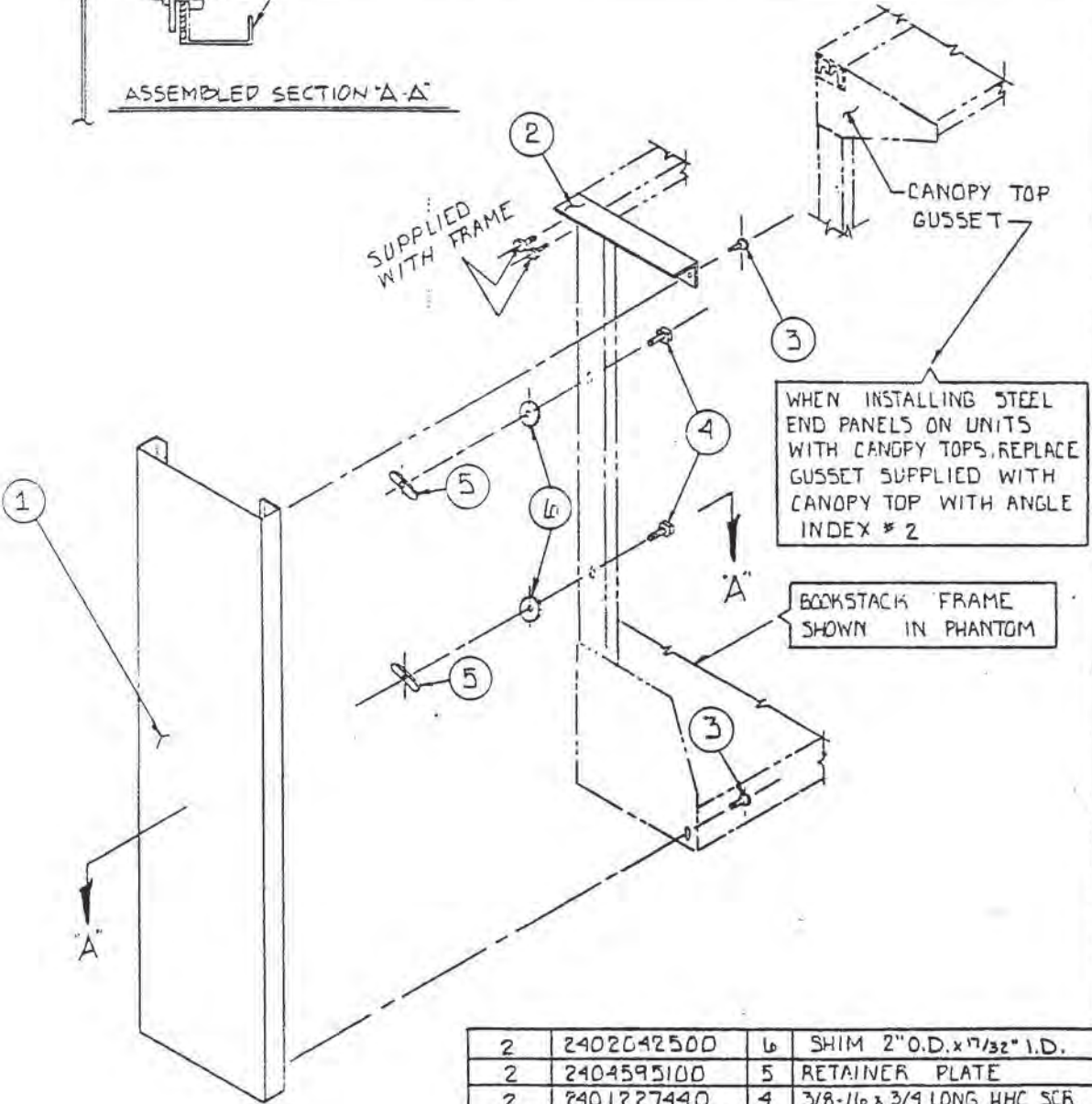
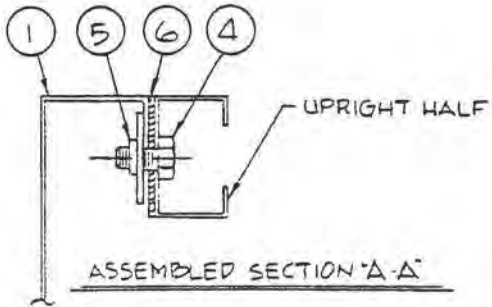


PART NO.	DATE		NO.	CHANGE
	DR	CHK		

TOLERANCES (UNLESS OTHERWISE SPECIFIED)		
FRACTIONAL	DECIMAL	ANGULAR
+ / -	+ / -	+ / -
MATERIAL	CUTTING SIZE	FINISH
ORDER NUMBER	CHECKED	APPROVED
DRAWN BY	NAME	
BRADFORD	SINGLE FACE END PANEL	
INSTALLATION INSTRUCTIONS		
 LIBRARY BUREAU MEDIA STACK INC. VINELAND, N.J.		
SHEET 1 OF 1	2404696200	
SCALE		



QUAN.	PART ND.	ITEM	DESCRIPTION
2	2402042500	6	SHIM 2" O.D. x 17/32" I.D.
2	2404595100	5	RETAINER PLATE
2	2401227440	4	3/8-16 x 3/4 LONG HHC SCR
2	2400738840	3	*14 x 1/2 LG SFH SCREW
1	21045965XX	2	REINFORCING ANGLE
1	210461XXXX	1	SINGLE FACE END PANEL

THIS DOCUMENT AND/OR THE INFORMATION THEREIN CONTAINED MAY NOT BE COPIED
 REPRODUCED, TRANSMITTED OR USED IN WHOLE OR IN PART BY OTHERS EXCEPT WITH
 WRITTEN PERMISSION FROM LIBRARY BUREAU INC.