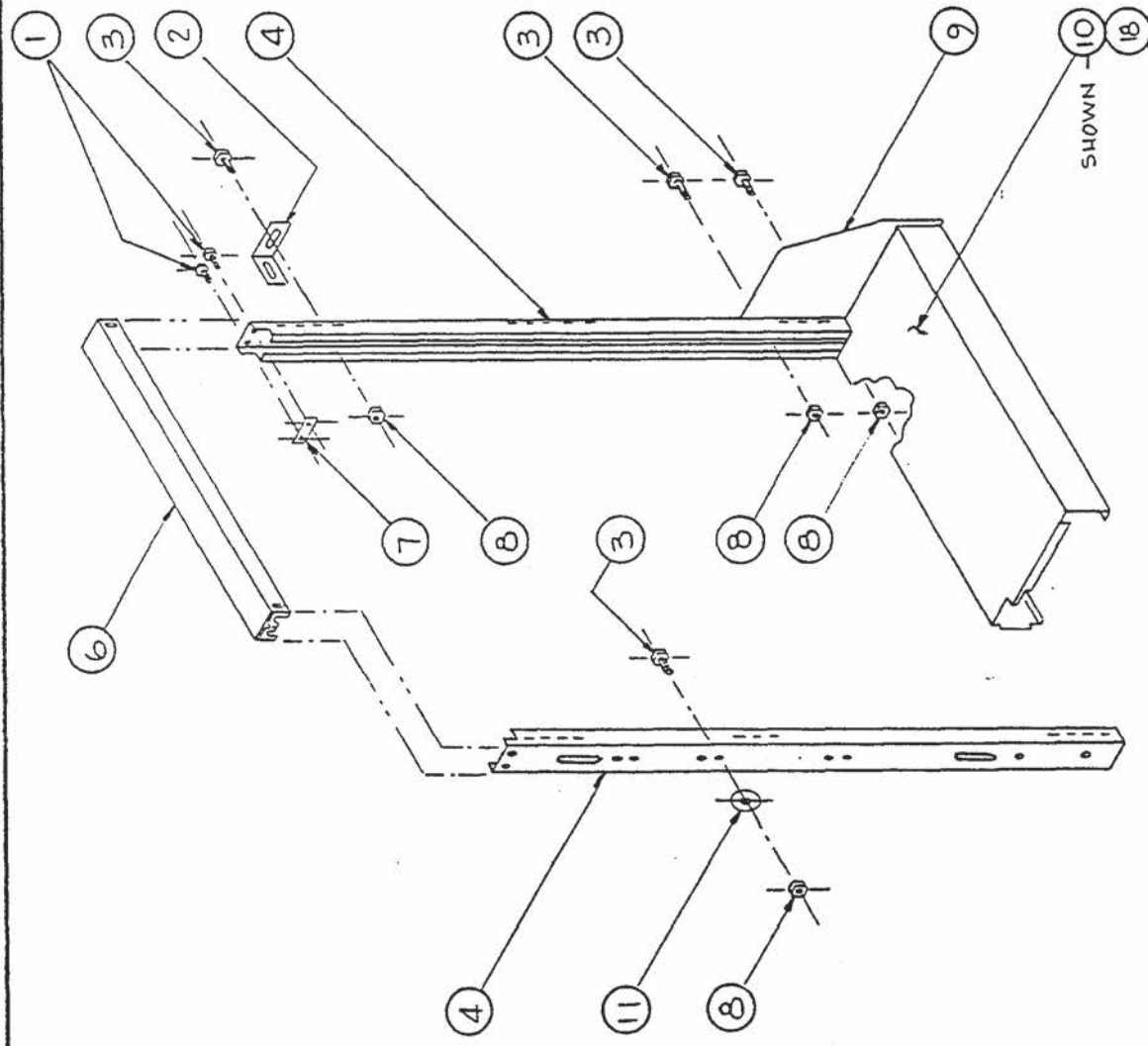


THIS DOCUMENT AND/OR THE INFORMATION THEREIN CONTAINED MAY NOT BE COPIED, REPRODUCED, TRANSMITTED OR USED IN WHOLE OR IN PART BY OTHERS EXCEPT WITH WRITTEN PERMISSION FROM LIBRARY BUREAU INC.

LIBRARY BUREAU INC. 2404696700



PART NO.		DATE	BY	NO	CHANGE
SY	DATE	CH	HO		

(UNLESS OTHERWISE SPECIFIED)
 FRACTIONAL DECIMAL ANGULAR
 + + +
 - - -

MATERIAL _____
 CUTTING SIZE _____
 FINISH _____
 ORDER NUMBER _____
 DRAWN BY _____ CHECKED _____ APPROVED _____
 NAME _____

INSTALLATION INSTRUCTIONS
SINGLE FACE BOOKSTACK
ADDITIONAL FRAME-ALL HEIGHTS

LIBRARY BUREAU
 MEDIA STACK INC.
 VINELAND, N.J.

SHEET 3 OF 60 SCALE: - 2404696700