
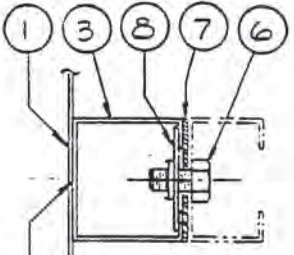
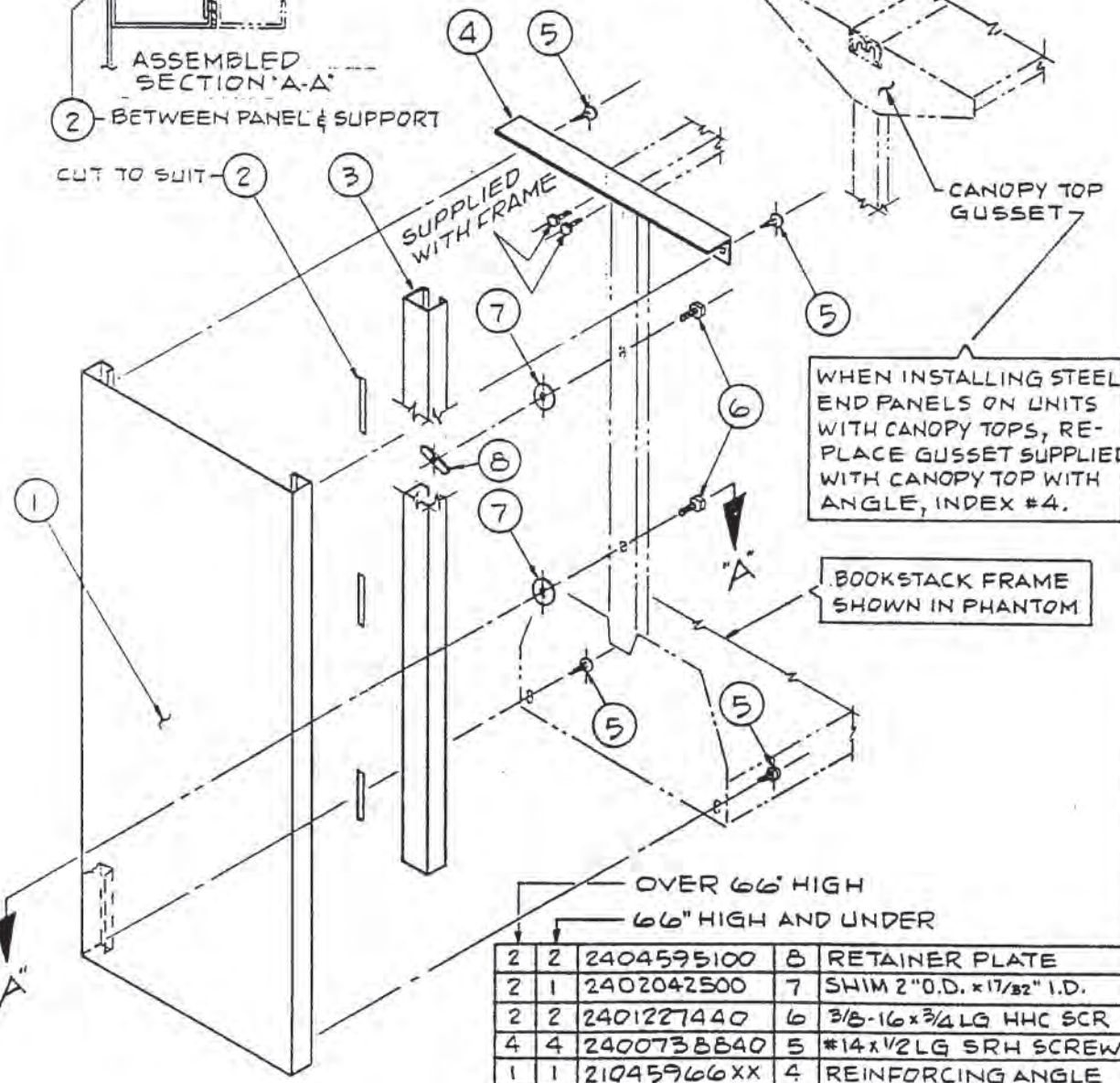


PART NO.		SY. DATE	DR. NO.	CHANCE

TOLERANCES (UNLESS OTHERWISE SPECIFIED)		APPROVED	NAME
FRACTIONAL	DECIMAL		
+	+	CHECKED	
MATERIAL			
CUTTING SIZE			
FINISH			
ORDER NUMBER			
DRAWN BY			
DMS:			
DOUBLE FACE END PANEL			
INSTALLATION			
INSTRUCTIONS			
 MEDIA STACK INC. LIBRARY BUREAU VINELAND, N.J.			
SHEET 1 OF 1			2A04696 300
SCALE -			



2 - BETWEEN PANEL & SUPPORT  
 CUT TO SUIT - 2



QUAN	PART NO.	ITEM	DESCRIPTION
2	2	2404595100	RETAINER PLATE
2	1	2402042500	SHIM 2" O.D. x 17/32" I.D.
2	2	2401227440	3/8-16 x 3/4 LG HHC SCR
4	4	2400738840	#14 x 1/2 LG SRH SCREW
1	1	21045946XX	REINFORCING ANGLE
1	1	21046461XX	UPRIGHT SUPPORT
1	1	2404636000	DOUBLE BACK TAPE
1	1	210462XXXX	DOUBLE FACE END PANEL

THIS DOCUMENT AND/OR THE INFORMATION THEREIN CONTAINED MAY NOT BE COPIED, REPRODUCED, TRANSMITTED OR USED IN WHOLE OR IN PART BY OTHERS EXCEPT WITH WRITTEN PERMISSION FROM LIBRARY BUREAU INC.

MESH-32 (09) 212/4