
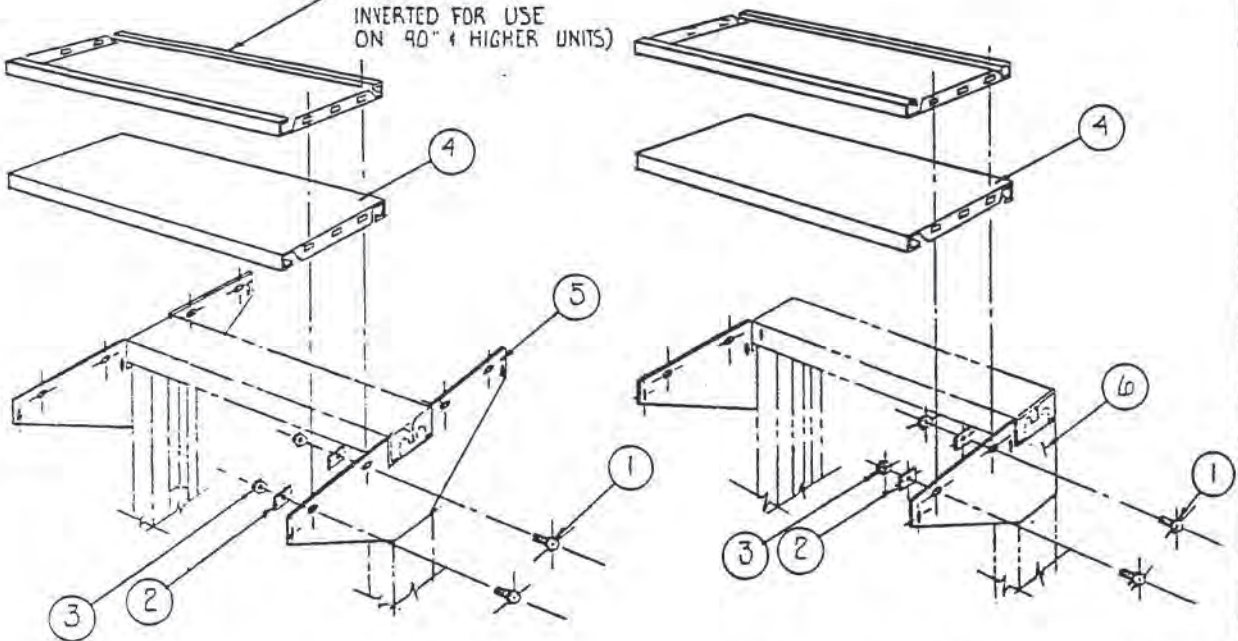


PART NO.	SYMBOL	DATE	BY	NO.	CHANGE

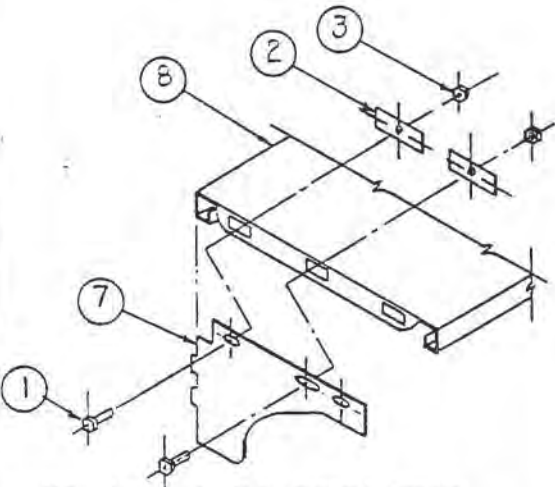
TOLERANCES (UNLESS OTHERWISE SPECIFIED)	
FRACTIONAL	ANGULAR
+ -	+ -
MATERIAL	CUTTING SIZE
FINISH	ORDER NUMBER
DRAWN BY	CHECKED
DATE	APPROVED
NAME	
ASSEMBLY INSTRUCTIONS	
CANOPY TOPS	
 MEDIA STACK INC. LIBRARY BUREAU VINELAND, N.J.	
SHEET 1 OF 1	SCALE: NONE

CANOPY TOP (SHOWN  
INVERTED FOR USE  
ON 40" + HIGHER UNITS)



DOUBLE FACE STANDARD CONSTRUCTION  
INITIAL SHOWN

SINGLE FACE STANDARD CONSTRUCTION  
INITIAL SHOWN



LEFT HAND PISTOL GRIP SUPPORT SHOWN  
(SUPPORTS ON END OF RANGE MOUNT ON  
OUTSIDE OF FLANGE ON CANOPY TOP.  
SUPPORTS FOR INTERMEDIATE SECTIONS  
MOUNT ON INSIDE OF FLANGE)

2	J	-	-	-	21046610XX	8	CANOPY TOP	
4	2	-	-	-	21046595XX	7	L.H / R.H PISTOL GRIP	
-	-	2	1	-	210646212XX	6	CANOPY BUSSET	
-	-	-	-	2	21064622XX	5	CANOPY GUSSET	
-	-	1	1	2	21064606XX	4	CANOPY TOP	
8	4	4	2	B	4	2400350590	3	1/4-20 HEX NUT
8	4	4	2	B	4	2404567300	2	SPACER
8	4	4	2	B	4	2401227410	1	1/4-20 x 5/8 HHCS
QTY		PART NO.		ITEM	DESCRIPTION			
DOUBLE FACE U.C.	SINGLE FACE U.C.	SINGLE FACE STD INT	SINGLE FACE STD ADJ	DOUBLE FACE STD INT.	DOUBLE FACE STD ADJ.			